



**Model**

SM5 & SM7

**Product Description**

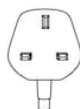
SM5 (Mixer, 5 litre, light duty)

SM7 (Mixer, 7 litre, light duty)

**Product Code**

5M237 (SM5)

5M238 (SM7)



**Standard Features**

- Professional gear driven planetary mixer with a powerful, variable speed DC motor
- Comes complete with beater, whisk, dough hook and 5ltr /7ltr stainless steel removable bowl
- Ideally suited to smaller shops, delis, cafes, restaurants and small school kitchens
- Fully interlocked for safety whilst in use
- Ideal for preparation of light dough, pastry, cream, mayonnaise, sauces, crème patisserie, egg and mashed potato
- Head lifts for easy bowl and tool removal
- Constant mixing with step-less speed control
- Overload protection (NVR device)
- Plastic safety guard with ingredient chute

**Standard Accessories / Attachments**

- 1 x Whisk
- 1 x Beater
- 1 x Dough Hook
- 1 x 5 litre bowl (with SM5 only)
- 1 x 7 litre bowl (with SM7 only)

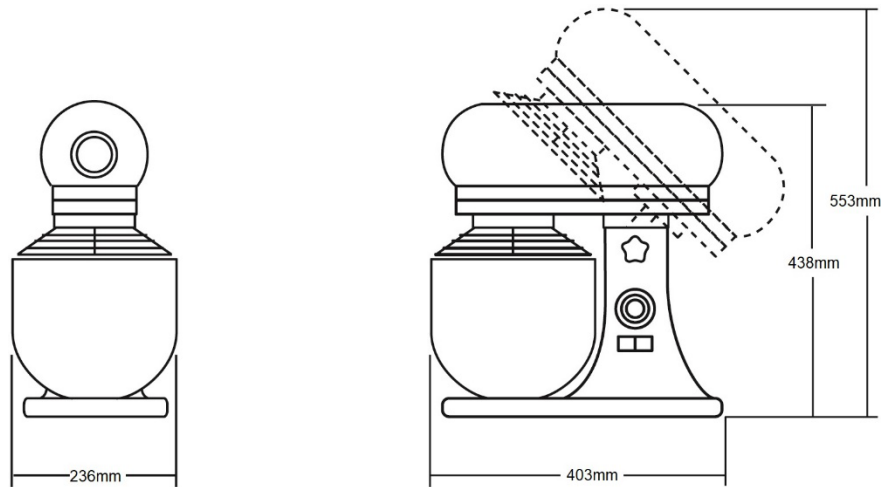
**Warranty**

Covered by Metcalfe 1-year warranty (parts and labour) and full after sales service

**Optional Accessories / Attachments**

| Item       | Product Code   |
|------------|----------------|
| SM5 Bowl   | SM5/50401040F  |
| SM7 Bowl   | SM7/50401038F  |
| Beater     | SM57/40201200F |
| Whisk      | SM57/40202400F |
| Dough Hook | SM57/40201300F |

## Drawing



## Specifications

| Model | Capacity (ltr) | Speed of Shaft (rpm) | Motor (Volt) | Frequency (Hz) | AMP (A) | Power (watt) |
|-------|----------------|----------------------|--------------|----------------|---------|--------------|
| SM5   | 5              | 100 – 938            | 230          | 50             | 2.1     | 350          |
| SM7   | 7              | 100 - 938            | 230          | 50             | 2.1     | 350          |

## Capacity

| Model | Sponge Mix (Kgs) | Liquid / Flour Mix (Kgs) | Eggs | Croissant (Kgs) | Brioche (Kgs) | Pizza (Kgs) | Mash (Kgs) |
|-------|------------------|--------------------------|------|-----------------|---------------|-------------|------------|
| SM5   | 0.9              | 1.0                      | 12   | 1               | 1             | 0.5         | 1.3        |
| SM7   | 1.1              | 1.3                      | 14   | 1.3             | 1.3           | 0.7         | 1.5        |

## Dimensions | Shipping Information

| Model | Overall Dimensions D x W x H (mm) | Net Weight (Kg) | Packed Dimensions D x W x H (mm) | Packed Weight (Kg) | Volume (m3) |
|-------|-----------------------------------|-----------------|----------------------------------|--------------------|-------------|
| SM5   | 403 x 236 x 438                   | 14              | 465 x 320 x 500                  | 15                 | 0.042       |
| SM7   | 403 x 236 x 438                   | 15              | 465 x 320 x 500                  | 17                 | 0.042       |

We reserve the right to alter the specification and technical details for this item at any time without prior notice. 08/2021

## Metcalfe Catering Equipment Ltd

Haygarth Park  
Blaenau Ffestiniog  
Gwynedd, LL41 3PF

