



## **Crosbys Buffet Warmer Instruction Manual**

### **Model**

CRE- BUFWRM – Buffet Warmer

**Thank you for purchasing your Crosbys Buffet Warmer. To make full use of the product please read this manual carefully before using the product and keep it safe for future reference.**

### **Safety Tips**

- If you find any damage when the product is unpacked, contact your Crosbys supplier within 24 hours of receipt of goods
- Always position on a flat stable surface
- Repairs should always be carried out by a qualified technician
- Do not use this product outside
- Do not carry when the warmer is hot
- Do not touch base or bulb whilst the unit is in use
- Always switch off and unplug the unit before cleaning
- Move by holding the base of the product
- Ensure the base of the container is clean before using
- If the glass is cracked, disconnect from the power supply and contact your Crosbys distributor
- Always store the appliance in a flat and firm surface
- Do not place heavy objects on top of the unit
- If the power cord becomes damaged it must be replaced by a qualified technician
- This product is not designed to be used by persons with reduced physical or mental capabilities, lack of experience or knowledge, unless they are given suitable supervision, this includes children.

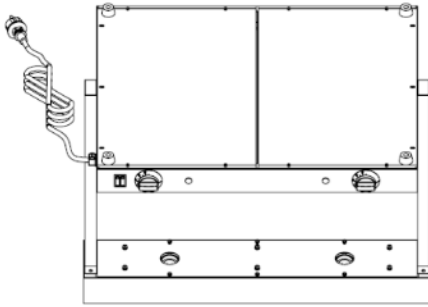
### **Pack Contents**

- 1 x Crosbys Buffet Warmer
- 2 x Infrared Bulb
- 2 x Sneeze Guard

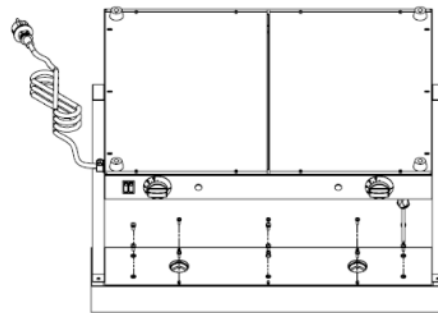
## **Assembly Instruction**

Remove all packaging including all protective plastic, from your Crosbys Buffet Warmer, then assemble the Sneeze Guards & Infrared Bulbs according to instructions below -

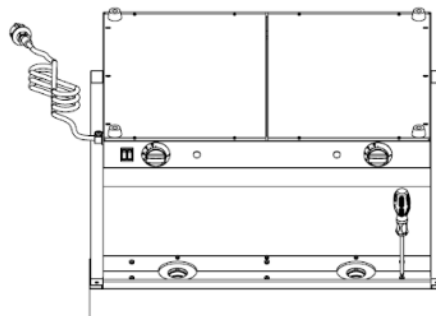
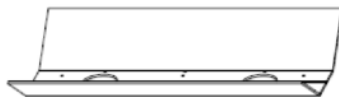
**Step 1:** Turn the unit upside down position on a flat surface



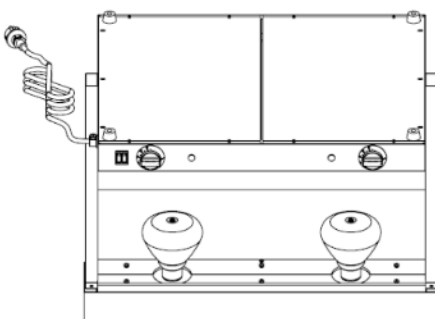
**Step 2:** Remove all 12 sets of screw washer & spring washer from the g with screwdriver



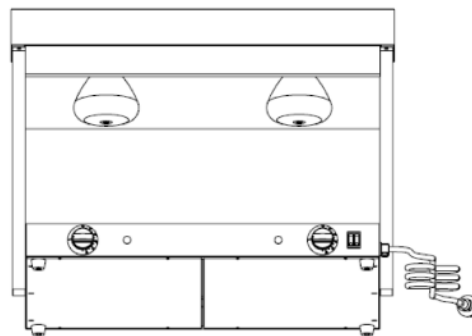
**Step 3:** Place one of the Sneeze Guards onto the gantry and fix it with washers. Ensure the fixings are put in sequence "Flat Washer>Spring Wash & tightened. Repeat the above steps to assemble another piece of Sneeze G

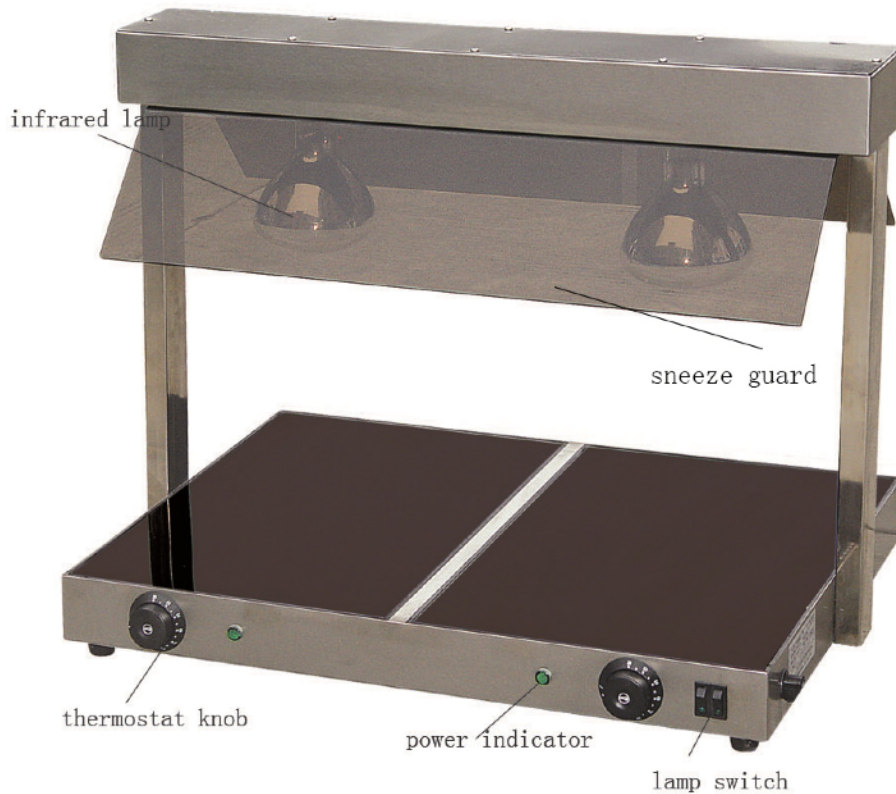


**Step 4:** Screw in the Infrared Bulb turning clockwise



**Step 5:** Turn the unit back to ori position. The assembling is completed





### **Before Use**

- Position the unit on a flat and firm surface
- Wipe the Buffet Warmer with a damp soft cloth before first use
- Ensure the Sneeze Guards and Infrared Bulbs are installed properly
- Plug your Crosbys Buffet Warmer into the mains
- The Buffet Warmer will now be ready to turn on

### **Operation**

- Ensure the appliance is plugged in and the power indicators are on
- Turn the thermostat dial(s) to the required setting/Turn the infrared bulb(s) by selecting the lamp switch button(s)
- When the desired temperature is reached, the unit will keep warming. The green power indicators will go off and on repeatedly as the thermostat maintains a constant temperature
- Place food containers on the Buffet Warmer.
- The unit holds temperature of 30-85 °C

**NOTE: Only use food containers with flat & smooth bases, such as Gastronorm Pans in sizes of 1/1 or 1/2.**

## **Cleaning & Maintenance**

- Before cleaning, disconnect the Buffet Warmer from the electricity supply
- Once the warmer is cooled, wipe with a damp soft cloth
- DO NOT submerge the unit in water or use water sprays to clean
- Always clean your Crosbys Buffet Warmer daily

## **Troubleshooting**

<b>Fault</b>	<b>Possible Cause</b>	<b>Solution</b>
Buffet Warmer not working	The unit is not switched on The plug or lead are damaged The fuse has blown Internal wiring fault	Check the unit is plugged in and switched on Contact your Crosbys distributor Replace the fuse Contact your Crosbys distributor
Infrared Lamp is not on	The bulbs are not switched on The bulbs are not installed properly The bulbs are burnt out	Check the unit is plugged in and turn on the lamp with switch buttons Switch off the product, then tighten the bulbs clockwise & switch on again Contact your Crosbys distributor

## **Transportation and Storage**

Please handle your Buffet Warmer with care to prevent any damage to the unit and internal parts. The Buffet Warmer should be stored somewhere which is ventilated and has non-corrosive gas.

Do not store any flammable objects near the equipment.

## **Technical Information**

### **CRE- BUFWRM – Buffet Warmer**

Voltage 220~240v, 50/60Hz

Power 1000watt

Dimension 730 x 580 x 550mm

Weight 14kg

- Crosbys Buffet Warmer is supplied with a 3 pin plug and lead with a 13 amp fuse
- Appliance must be earthed
- If in doubt contact a qualified electrician or your Crosbys distributor

## **Disposal**



Under WEEE regulations this product must not be disposed of as household waste. To prevent damage to the environment and humans this product must be disposed of in an approved and environmentally friendly recycling process. For more information on how to dispose of this correctly please contact your Crosbys distributor or local authority responsible for waste disposal.

## **Compliance**



All Crosbys parts and products have under gone a stringent testing process to ensure that comply with the provisions of the relevant specific standards and all UK legislations.

Meanwhile, they also comply with all European standards and specifications. All Crosbys products carry the UKCA and CE approval symbols.