

# 82094

## Katrin Plastic Dispenser For System Paper Towel Roll, White

- When paper is not visible, there is an easy-to-use PUSH lever for paper feeding
- Controlled consumption and minimum resistance to draw
- All Katrin System Hand Towel Rolls fit the dispenser
- Paper consumption is easy to control, thanks to the transparent side panels
- Designed to function: Low pull force cutting unit and customized Anti-jam cutting unit design
- Locks on both sides of the dispenser for more flexibility when the dispenser is to be opened
- Main raw materials of major plastic parts and lock: ABS (Acrylonitrile butadiene styrene), PC (polycarbonate), POM (polyoxymethylene)
- Comply with UL94 Fire Safety and Fire Protection regulations (EU)




**ISO 9001**    **ISO 14001**

**Country of Origin: Slovakia**

### Product

Length/Depth	322 mm	Colour	White
Width	216 mm	Gross weight	2.940 kg
Height	397 mm		

### Trading unit

Length/Depth	418 mm	Gross weight	3.42 kg	EAN	 6 4 14301 082094
Width	331 mm	Consumer packs/ trading unit	1		
Height	248 mm				

## Pallet

Length/Depth 1,200 mm

Gross weight 107.23 kg

EAN

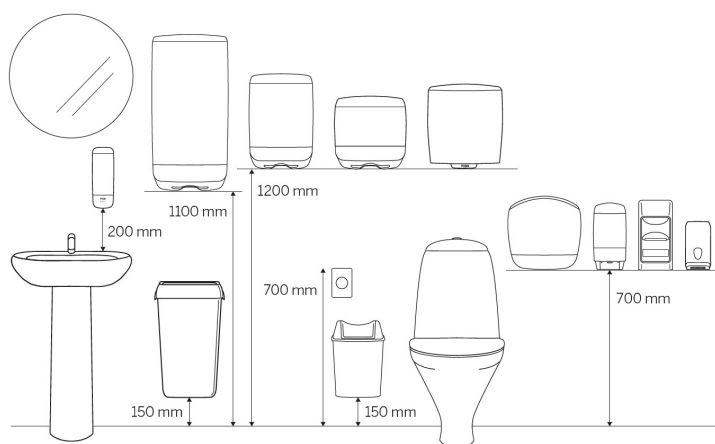


Width 800 mm

Trading units / pallet 24

Height 1,142 mm

## Measurements and Installing



## Related products

Selection from all countries. Please refer to web page for market-specific availability.



**460232**  
Katrin Dispenser Paper  
Towel Roll System Large  
2-Ply



**460201**  
Katrin Dispenser Paper  
Towel Roll System Medium  
1-Ply



**460102**  
Katrin Dispenser Paper  
Towel Roll System Medium  
2-Ply



**58198**  
Katrin Dispenser Paper  
Towel Roll System Medium  
2-Ply



**460263**  
Katrin Dispenser Paper  
Towel Roll System Medium  
2-Ply, Blue



**82537**  
Katrin Plus Dispenser  
Paper Towel Roll System



**38015**  
Katrin Plus Dispenser  
Paper Towel Roll System  
M 3-Ply



**460058**  
Katrin Plus Dispenser  
Paper Towel Roll System  
Medium 2-Ply



**58167**  
Katrin Plus Dispenser  
Paper Towel Roll System  
Medium 2-Ply



**57795**  
Katrin Plus Dispenser  
Paper Towel Roll System  
Medium 2-Ply



**94950**  
Katrin Plus Dispenser  
Paper Towel Roll System  
Medium 2-Ply

This leaflet is provided for information purposes only and no liability of any kind is accepted for potential errors or inaccuracies. Metsä Tissue reserves the right to alter its products, product information and product range without any notice.